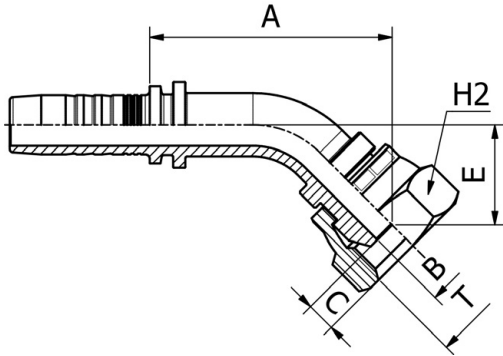


BS STANDARD CONNECTIONS

M20541KR

45° BSP FEMALE SWEPT ELBOW 60° CONE
BS5200 / ISO 12151-6

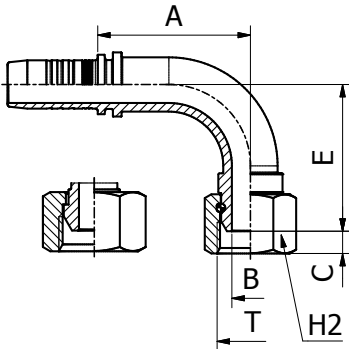


PART. REF.	HOSE BORE			Thread	DIMENSIONS mm						
	DN	Dash	inch	T	B	A	C	E	H2		
M20541-04-04KR	6	- 4	1/4"	1/4" - 19	4.2	38.0	5.2	16.6	19.0		
M20541-06-06KR	10	- 6	3/8"	3/8" - 19	7.0	45.5	6.0	20.0	22.0		
M20541-08-08KR	12	- 8	1/2"	1/2" - 14	9.3	54.0	6.5	22.0	27.0		

BS STANDARD CONNECTIONS

M20592/M20593

90° BSP FEMALE SWEPT ELBOW
60° CONE - BS5200 / ISO 12151-6



PART. REF.	HOSE BORE			Thread	DIMENSIONS mm						
	DN	Dash	inch	T	B	A	C	E	H2		
M20592-03-02	5	- 3	3/16"	1/8" - 28	3.0	21.5	4.4	26.0	14.0		
M20592-04-02	6	- 4	1/4"	1/8" - 28	3.1	28.5	4.4	27.0	14.0		
M20592-05-04	8	- 5	5/16"	1/4" - 19	4.0	26.5	4.1	29.5	19.0		
M20592-06-04	10	- 6	3/8"	1/4" - 19	4.0	27.0	4.1	29.5	19.0		
M20592-08-06	12	- 8	1/2"	3/8" - 19	7.1	45.0	6.0	41.0	22.0		
M20592-08-10	12	- 8	1/2"	5/8" - 14	12.1	44.0	10.2	44.0	28.0		
M20592-08-12	12	- 8	1/2"	3/4" - 14	15.0	44.0	9.0	45.5	32.0		
M20592-10-08	16	- 10	5/8"	1/2" - 14	9.3	53.5	6.5	54.5	27.0		
M20592-10-10	16	- 10	5/8"	5/8" - 14	12.5	53.5	10.2	53.5	28.0		
M20592-10-12	16	- 10	5/8"	3/4" - 14	15.0	53.5	9.0	55.0	32.0		
M20592-12-08	19	- 12	3/4"	1/2" - 14	9.3	45.5	6.5	44.0	27.0		
M20592-12-12	19	- 12	3/4"	3/4" - 14	15.0	61.5	9.0	59.5	32.0		
M20592-12-16	19	- 12	3/4"	1" - 11	19.8	61.5	10.5	62.0	38.0		
M20592-16-12	25	- 16	1"	3/4" - 14	15.0	64.5	9.0	59.5	32.0		
M20592-16-16	25	- 16	1"	1" - 11	19.8	79.5	10.5	76.0	38.0		
M20593-03-04	5	- 3	3/16"	1/4" - 19	4.0	29.0	5.4	29.0	19.0		
M20593-04-04	6	- 4	1/4"	1/4" - 19	4.0	29.5	5.4	29.0	19.0		
M20593-04-06	6	- 4	1/4"	3/8" - 19	7.0	29.5	6.0	31.0	22.0		
M20593-05-06	8	- 5	5/16"	3/8" - 19	7.0	32.0	6.0	27.5	22.0		
M20593-05-08	8	- 5	5/16"	1/2" - 14	9.3	36.5	6.3	32.0	27.0		
M20593-06-06	10	- 6	3/8"	3/8" - 19	7.0	36.5	6.0	31.5	22.0		
M20593-06-08	10	- 6	3/8"	1/2" - 14	9.3	36.5	6.3	32.0	27.0		
M20593-08-08	12	- 8	1/2"	1/2" - 14	9.3	45.0	6.3	36.5	27.0		